

METHODIST GIRLS' SCHOOL (PRIMARY)

Founded in 1887



MID-YEAR EXAMINATION 2014 PRIMARY 4 MATHEMATICS BOOKLET A

Booklets A, B and C: 1 h 45 minutes

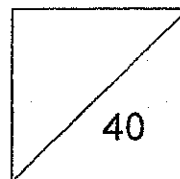
INSTRUCTIONS TO CANDIDATES

Do not turn over this page until you are told to do so.
Follow all instructions carefully.
Answer all questions.

Name: _____ ()

Class: Primary 4. _____

Date: 15 MAY 2014



This booklet consists of 9 printed pages including this page.

Section A: (40 marks)

For each of the following question, four options are given.

One of them is the correct answer.

Make your choice (1, 2, 3, 4). Shade the oval (1, 2, 3, 4) on the Optical Answer Sheet.

1. In $93\,406 = 90\,000 + \boxed{} + 6$
What is the missing number in the box?

- (1) 34
- (2) 340
- (3) 3 040
- (4) 3 400

2. What is the sum of 63 459 and 1 630? Round off your answer to the nearest ten.

- (1) 65 000
- (2) 65 080
- (3) 65 090
- (4) 65 100

3. Which one of the following numbers is the largest?

- (1) 33 905
- (2) 33 950
- (3) 33 095
- (4) 33 059

4. Which one of the following numbers has 4 and 6 as its factors?
- (1) 12
 - (2) 16
 - (3) 18
 - (4) 20
5. Jill needs to guess a number. She is told that it is a multiple of 4. If 6 is added to this number, it becomes a multiple of 5. What is this number?
- (1) 24
 - (2) 28
 - (3) 36
 - (4) 40
6. Which one of the following numbers is 6 750 when rounded off to the nearest ten?
- (1) 6 649
 - (2) 6 700
 - (3) 6 745
 - (4) 6 755

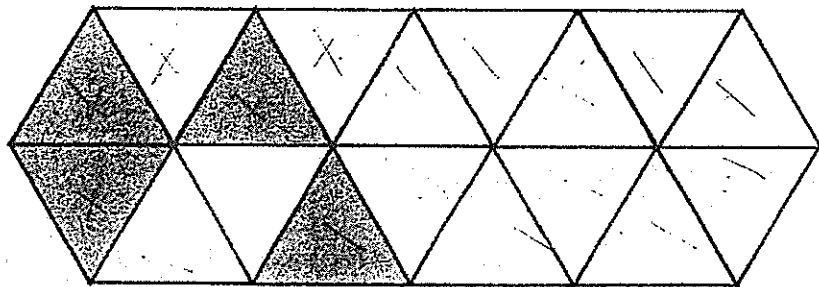
7. There are 35 pupils in each class. If there are 42 classes in the school, how many pupils are there in the school?

- (1) 210
- (2) 336
- (3) 1 260
- (4) 1 470

8. Which one of the following statements gives the same answer as 100×25 ?

- (1) $100 \times 25 \times 100 \times 25$
- (2) $100 \times 2 + 100 \times 5$
- (3) $100 \times 20 \times 100 \times 5$
- (4) $100 \times 10 + 100 \times 10 + 100 \times 5$

9. The figure shown is made up of identical triangles. How many more triangles must be shaded so that $\frac{5}{9}$ of the figure is shaded?



- (1) 1
- (2) 4
- (3) 6
- (4) 10

Use the table below to answer questions 10, 11 and 12.
The table shows the number of pies brought by 3 children to their class party.

	Number of chicken pies	Number of beef pies
Mei Lin	12	?
Siti	30	15
Muthu	?	25
Total	50	50

10. How many chicken pies did Muthu bring?
- (1) 8
 - (2) 12
 - (3) 18
 - (4) 20
11. How many more pies did Siti bring than Mei Lin?
- (1) 18
 - (2) 23
 - (3) 33
 - (4) 45
12. At the class party, there were 5 teachers and 38 pupils. The teachers each ate 1 pie while the pupils each ate 2 pies. How many pies were left?
- (1) 19
 - (2) 24
 - (3) 76
 - (4) 81

13. Express $\frac{17}{3}$ as a mixed number.

(1) $1\frac{7}{3}$

(2) $1\frac{13}{17}$

(3) $5\frac{2}{3}$

(4) $7\frac{1}{3}$

14. Which one of the following fractions is less than $1\frac{1}{4}$?

(1) $\frac{3}{2}$

(2) $\frac{4}{3}$

(3) $\frac{5}{4}$

(4) $\frac{6}{5}$

15. What is the missing number in the box?

$$2\frac{3}{7} = 1 + \square$$

(1) $\frac{3}{7}$

(2) $\frac{10}{7}$

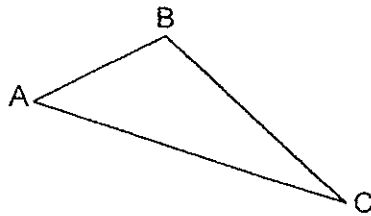
(3) $\frac{17}{4}$

(4) $\frac{24}{7}$

16. Mrs Lim baked 150 pineapple tarts. She sold $\frac{2}{5}$ of them to customer A.
How many pineapple tarts had she left?

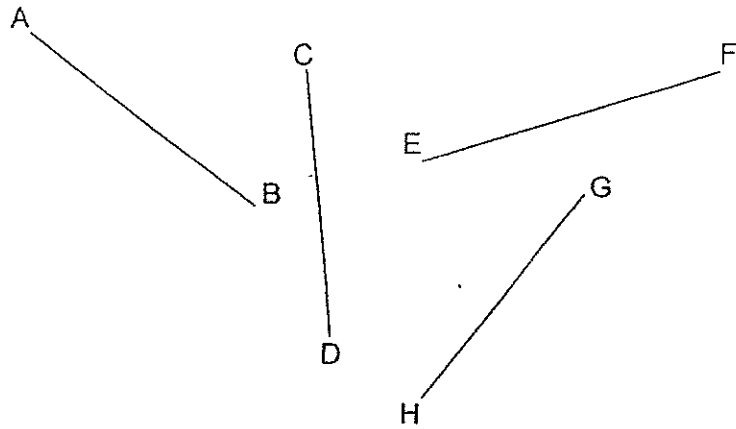
- (1) 30
- (2) 50
- (3) 60
- (4) 90

17. Measure to find the size of $\angle ABC$ in the figure below.



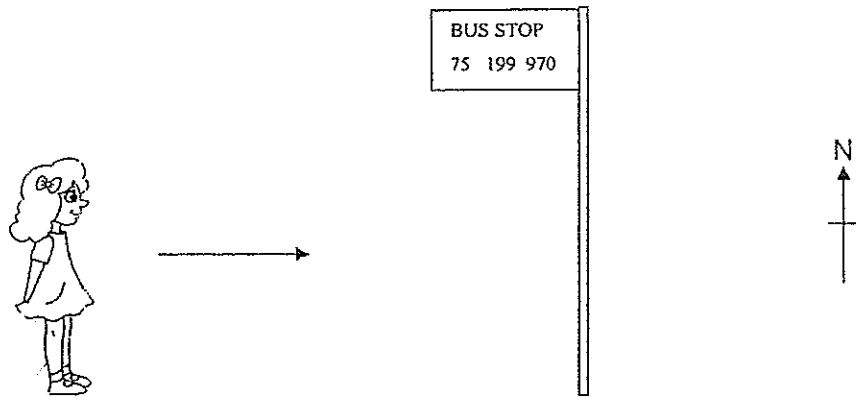
- (1) 25°
- (2) 45°
- (3) 70°
- (4) 110°

18. AB, CD, EF and GH are straight lines. Which two lines are perpendicular to each other?



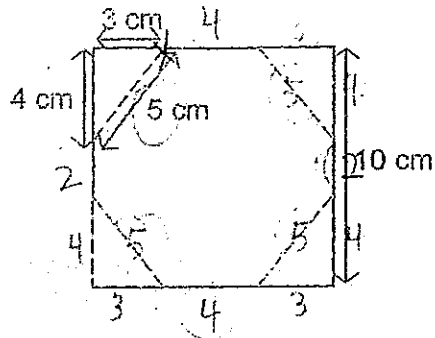
- (1) $AB \perp EF$
- (2) $AB \perp GH$
- (3) $CD \perp EF$
- (4) $CD \perp GH$

19. Si Lin is walking towards the bus stop now. If she decides to make a $\frac{3}{4}$ -turn in the anti-clockwise direction, where will she be facing?



- (1) North
- (2) South
- (3) East
- (4) West

20. Joe has a square piece of paper with sides 10 cm long. He then cut out 4 identical triangles from its 4 corners. What is the perimeter of the shaded figure?



- (1) 16 cm
- (2) 20 cm
- (3) 32 cm
- (4) 40 cm

METHODIST GIRLS' SCHOOL (PRIMARY)

Founded in 1887



MID-YEAR EXAMINATION 2014 PRIMARY 4 MATHEMATICS BOOKLET B

Booklets A, B and C: 1 h 45 minutes

INSTRUCTIONS TO CANDIDATES

Do not turn over this page until you are told to do so.
Follow all instructions carefully.
Answer all questions.

Name: _____ ()

Class: Primary 4.

Date: 15 MAY 2014

Parent's Signature: _____

BOOKLET A	40
BOOKLET B	40
BOOKLET C	20
TOTAL	100

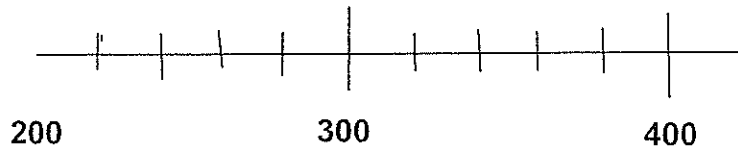
This booklet consists of 9 printed pages including this page.

Section B: (40 marks)

Write your answers in the space provided.

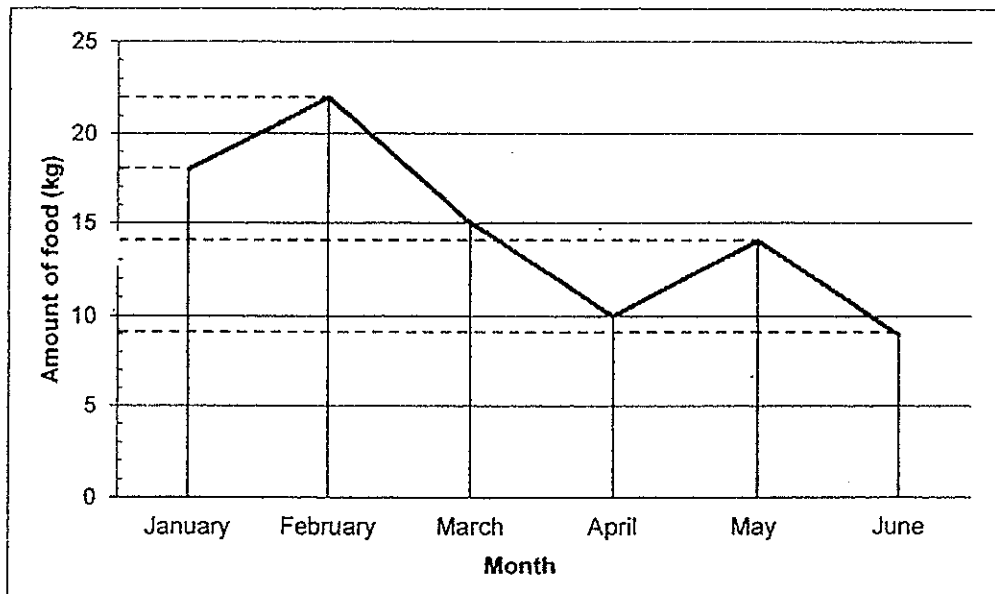
For questions which require units, give your answers in the units stated.

21. On the number line below,
(a) mark the value 350 with a 'X'.
(b) circle the answer when 350 is rounded off to the nearest hundred.



Use the information below to answer questions 22 and 23.

The graph shows the monthly food wastage in the school canteen from January to June in 2013.



22. What was the increase in food wastage between April and May?

Ans: _____ kg

23. In which 1-month period was the decrease in wastage greatest?

Ans: From _____ to _____

24. Mr Ravi packed 2 314 apples equally into 8 bags. However, he found that he had some apples left. He decided to add all the leftover apples into the eighth bag. How many apples were there in the eighth bag in the end?

Ans: _____

25. Use **all** the digits 3, 4, 6, 7 and 9, to form the greatest five-digit **odd** number with the digit 3 in the thousands place.

Ans: _____

26. I have a total of 72 stamps. I want to give them away **equally** to a group of pupils. The number of pupils in this group is between 20 and 30. How many pupils are there in this group?

Ans: _____

Use the information below to answer questions 27 and 28.

The table shows the number of Primary 4 pupils in the various Mother Tongue classes in Blackmore Primary School.

Classes	Number of boys	Number of girls	Total
Chinese	75	50	125
Malay	65	48	113
Tamil	22	?	?
Exempted*	3	10	13
Total	165	?	

*Pupils exempted = pupils who do not take Mother Tongue

27. The total number of pupils taking Tamil is thrice the total number of pupils exempted from taking Mother Tongue.
What is the total number of pupils who attend Mother Tongue classes?

Ans: _____

28. What is the difference in the number of boys and girls in Blackmore Primary School?

Ans: _____

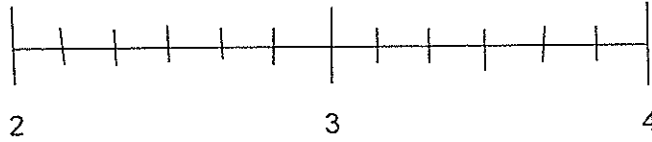
29. What is the missing number in the box?

$$8\frac{5}{12} + \frac{1}{3} = \frac{\square}{4}$$

Ans: _____

(Go on to the next page)

30. Mark $2\frac{1}{3}$ with a cross (X) on the number line below.



31. There were some markers on the table. $\frac{3}{8}$ of the markers were green. 6 markers were red and 9 were blue. How many markers were there?

Ans: _____

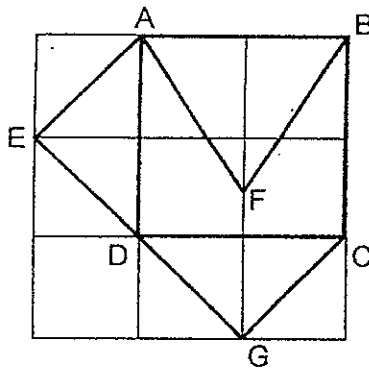
32. A baker had 3 kg of flour. He used $\frac{7}{8}$ kg to bake a cake and $\frac{1}{2}$ kg to bake a pie. What is the mass of flour left? Give your answer as a mixed number.

Ans: _____ kg

33. There were 600 books in the library. $\frac{3}{5}$ of them were fiction and the rest were non-fiction. How many more fiction books were there than non-fiction books?

Ans: _____

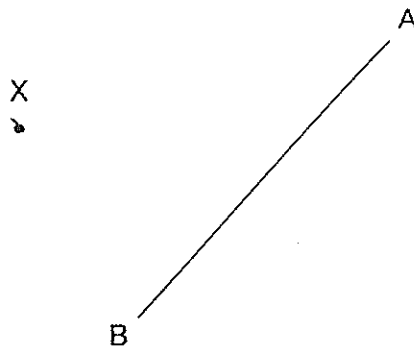
34. In the figure below,
 (a) name a line that is parallel to AE.
 (b) name a line that is perpendicular to AE.



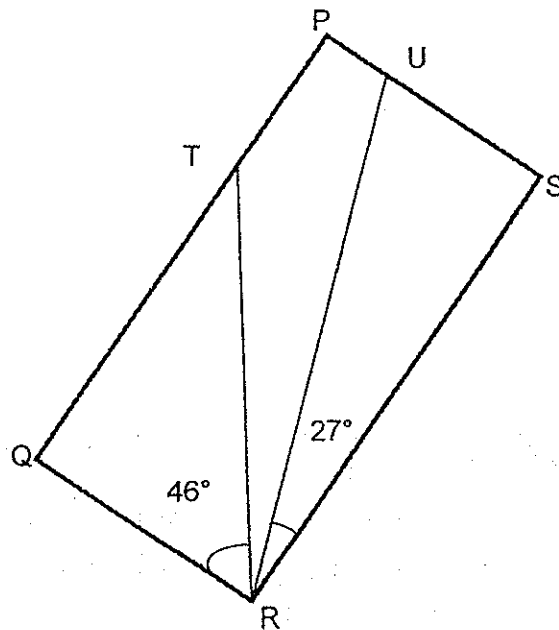
Ans: (a) AE // _____

(b) AE \perp _____

35. The figure below shows a line AB and a point X.
 Draw a line perpendicular to line AB, passing through point X.
 Mark the angle.



36. In the figure shown below, PQRS is a rectangle.
 $\angle TRQ = 46^\circ$ and $\angle SRU = 27^\circ$. Find $\angle TRU$.



Ans: _____

METHODIST GIRLS' SCHOOL (PRIMARY)

Founded in 1887



MID-YEAR EXAMINATION 2014 PRIMARY 4 MATHEMATICS BOOKLET C

Booklets A, B and C: 1 h 45 minutes

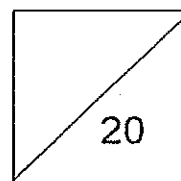
INSTRUCTIONS TO CANDIDATES

Do not turn over this page until you are told to do so.
Follow all instructions carefully.
Answer all questions.

Name: _____ ()

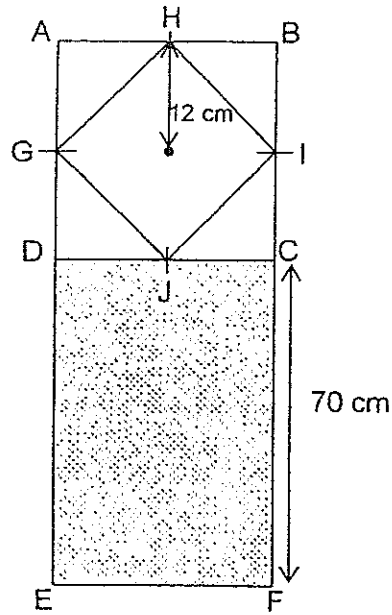
Class: Primary 4. _____

Date: 15 MAY 2014



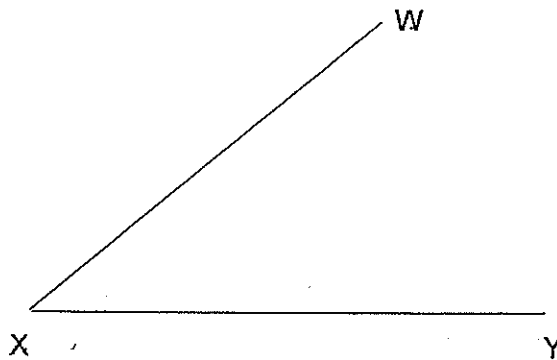
This booklet consists of 6 printed pages including this page.

37. The figure below is made up of Square ABCD, Square GHIJ and Rectangle CDEF. What is the perimeter of the shaded part?

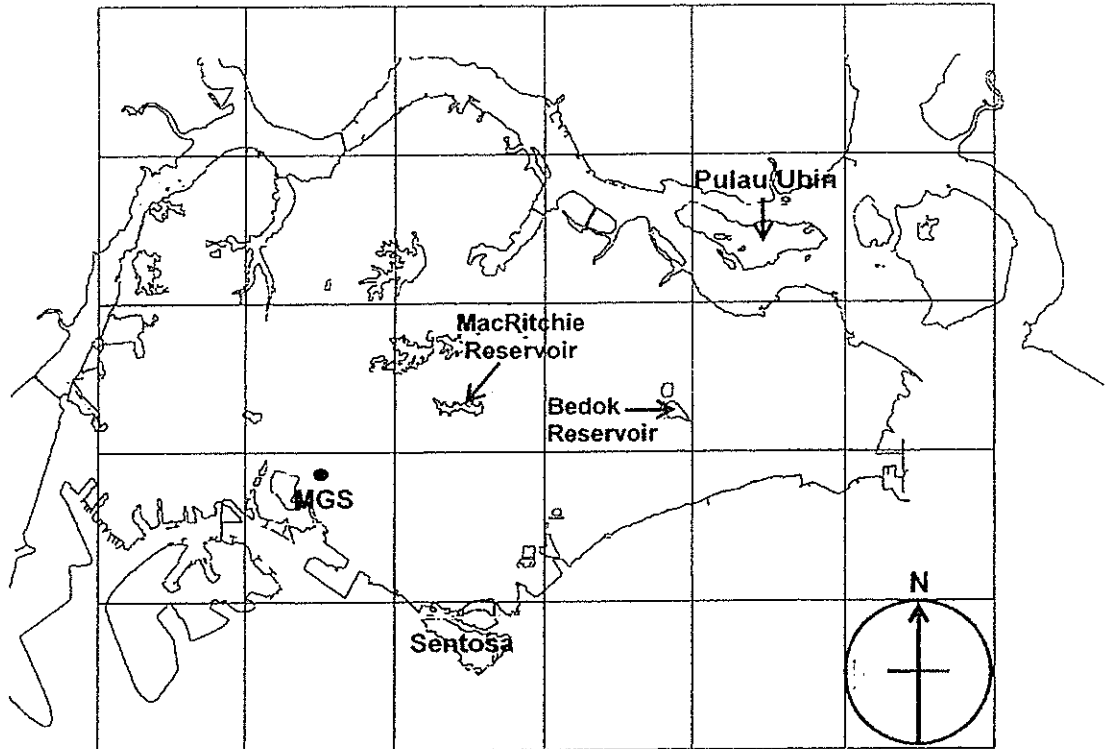


Ans: _____ cm

38. The figure below shows two straight lines WX and XY. Draw $\angle WXZ = 150^\circ$. Mark and label the angle.



The picture below shows the map of Singapore, with several locations indicated. Use the grid and compass to help you answer questions 39 and 40.



39(a). MacRitchie Reservoir is north-east of _____

Fill in the blanks with the correct location.

(b) In what direction is Bedok Reservoir from MacRitchie Reservoir?

Ans:(a) _____

(b) _____

40. Mr Ng is in Methodist Girls' School (MGS). He is facing the direction of Sentosa. He turns in a clockwise direction to face Pulau Ubin. How many right-angle turns did he make?

Ans: _____

Section C: (20 marks)

Show your working clearly in the space provided for each question and write your answers in the space provided.

The number of marks available is shown in brackets [] at the end of each question or part-question.

41. A fruiterer bought 360 oranges. He bought 175 more apples than oranges and 50 fewer pears than oranges.
- (a) How many fruits did he buy in all?
 - (b) He packed the oranges into boxes. Each box contained 48 oranges. How many boxes would he need in order to contain all the oranges?

Ans: (a) _____ [2]

(b) _____ [2]

42. An aquarium was $\frac{5}{12}$ full. Mr Lim poured 28 ℓ of water into the tank to fill it to the brim. How much water was in the tank at first?

Ans: _____ [4]

43. Liming had \$90 more than Gopal. Liming spent \$20, while Gopal spent \$10. Liming now had twice as much money as Gopal.
- (a) How much more money did Liming have than Gopal in the end?
- (b) How much money did both of them have together at first?

Ans: (a) _____ [2]

(b) _____ [2]

44. Alice bought 5 rings and 2 necklaces for \$1927. The necklace costs \$176 more than a ring.
- (a) How much did she pay for one ring?
 - (b) How much did she pay for one necklace?

Ans: (a) _____ [2]

(b) _____ [2]

45. Raju earned \$2800. He spent $\frac{1}{5}$ of his salary on transport and \$1 400 on food.
- (a) How much did he spend on transport and food?
- (b) What fraction of his salary had he left? Give your answer in the simplest form.

Ans: (a) _____ [2]

(b) _____ [2]

END OF PAPER

EXAM PAPER 2014

LEVEL : PRIMARY 4

SCHOOL : MGS

SUBJECT : MATHS

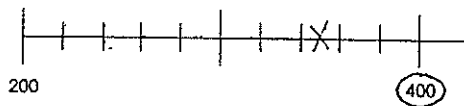
TERM : SA1

Section A:

Q1	Q2	Q3	Q4	Q5	Q6	Q7	Q8	Q9	Q10
4	3	2	1	1	3	4	4	3	1
Q11	Q12	Q13	Q14	Q15	Q16	Q17	Q18	Q19	Q20
2	1	3	4	2	4	4	2	2	3

Section B:

Q21



Q22 4 kg

Q23 February to March

Q24 291

Q25 93647

Q26 24

Q27 277

Q28 40

Q29 35

Q30



Q31 24

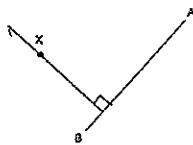
Q32 $1\frac{5}{8}$

Q33 120

Q34 (a) CG

(b) ED

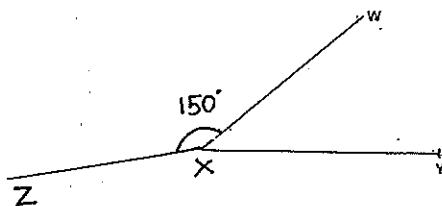
Q35



Q36 17°

Q37 188 cm

Q38



Q39 (a) MGS

(b) East

Q40 3

Section C

Q41 (a) $360 - 50 = 310$
 $360 \times 2 = 720$
 $720 + 310 = 1030$
 $1030 + 175 = \mathbf{1205}$

(b) $360 \div 48 = 7R24 \approx 8$

Q42 $28\text{L} \div 7 = 4\text{L}$
 $4\text{L} \times 5 = \mathbf{20\text{L}}$

Q43 (a) $\$70 + \$10 = \$80$
1 unit \rightarrow $\mathbf{\$80}$

(b) 3 unit \rightarrow $\$80 \times 3 = \240
 $\$240 + \$30 = \mathbf{\$270}$

Q44 (a) $\$176 \times 2 = \352
 $\$1927 - \$352 = \$1575$
 $\$1525 \div 7 = \mathbf{\$225}$
(b) $\$225 + \$176 = \mathbf{\$401}$

Q45 (a) $\frac{1}{9} \times \$2800 = \560
 $\$1400 + \$560 = \mathbf{\$1960}$
(b) $\$2800 - \$1960 = \$840$
 $\frac{890}{2800} = \frac{3}{10}$

