

**RAFFLES GIRLS' PRIMARY SCHOOL
WEIGHTED ASSESSMENT 1 2021
MATHEMATICS
PRIMARY 5**

Name: _____ ()

Form Class: P5 _____

Math Teacher: _____

Date: 23 April 2021

Duration: 50 minutes

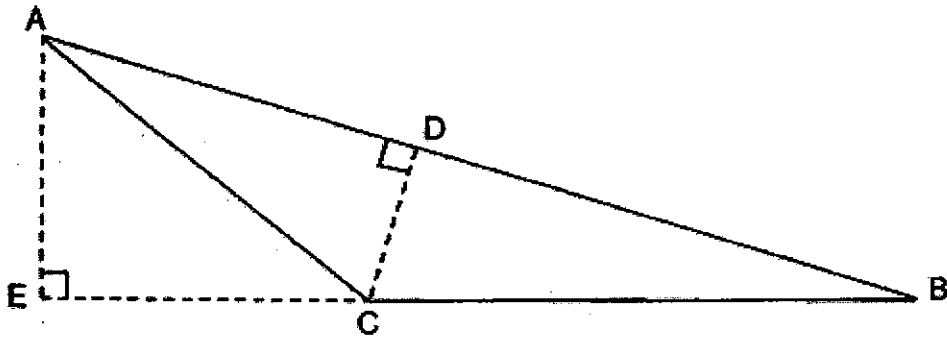
Your Total Score (Out of 32 marks)	
Parent's Signature	

INSTRUCTIONS TO CANDIDATES

1. Do not turn over this page until you are told to do so.
2. Follow all instructions carefully.
3. Answer **ALL** questions and show all working clearly.
4. Calculator is allowed for this paper.

Questions 1 and 2 carry 1 mark each and Questions 3 to 9 carry 2 marks each.
 Show your working clearly in the space provided for each question and write your answers
 in the spaces provided.
 For questions which require units, give your answers in the units stated.
 All diagrams are not drawn to scale. [16 marks]

1. In triangle ABC, if the base is AB, the height is _____.



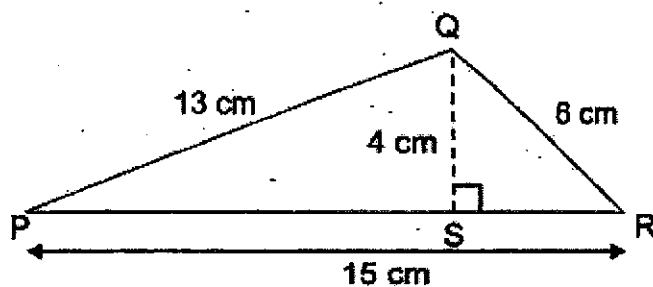
Ans: _____ [1]

2. What is the missing number in the box?

$$16 : 36 = 28 : \square$$

Ans: _____ [1]

3. In triangle PQR, $PQ = 13$ cm, $PR = 15$ cm, $QS = 4$ cm and $QR = 6$ cm. Find the area of triangle PQR.

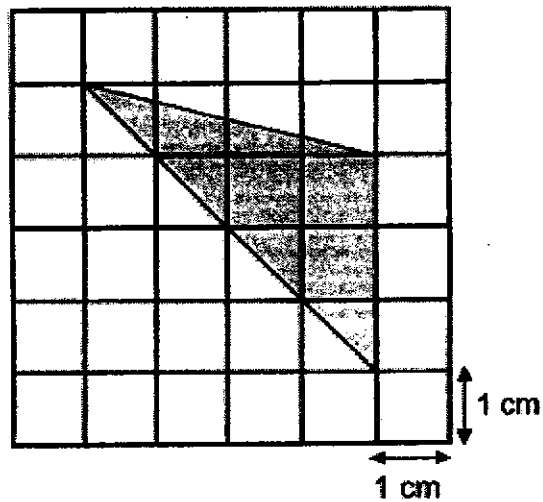


Ans: _____ cm^2 [2]

4. In a school, the ratio of the number of Chinese pupils to Indian pupils is 7 : 2. There are 560 more Chinese pupils than Indian pupils. How many Indian pupils are there in the school?

Ans: _____ [2]

5. Find the area of the shaded part.



Ans: _____ cm² [2]

6. Penny made some ice cream following the recipe below.

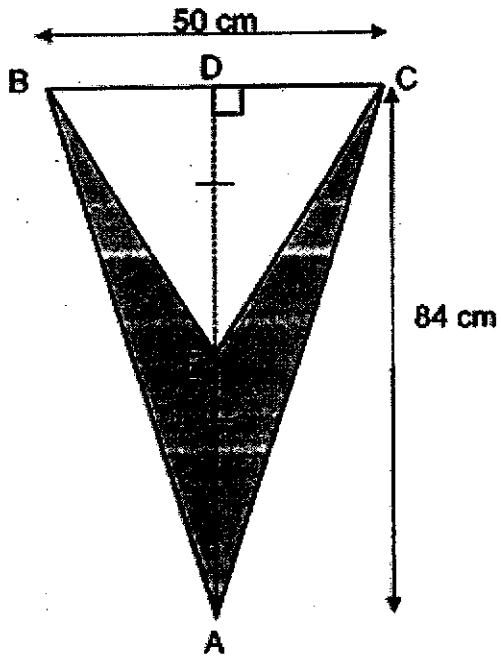
<u>Recipe for ice cream</u>	
Milk	– 200 ml
Whipping Cream	– 500 ml
Maple Syrup	– 100 ml

- (a) Find the ratio of the quantity of milk to the quantity of whipping cream to the quantity of maple syrup needed in the recipe. Express the ratio in its simplest form.
- (b) Penny used 150 ml of maple syrup, how much whipping cream did she use?

Ans: (a) _____ [1]

(b) _____ ml [1]

7. In the figure, $AE = ED$. Find the area of the shaded part.



Ans: _____ cm^2 [2]

8. Adam, Bill and Carlos had marbles in the ratio of 3 : 10 : 8. After Adam received a total of 180 marbles from Bill and Carlos, the three boys had the same number of marbles. How many marbles did Bill give to Adam?

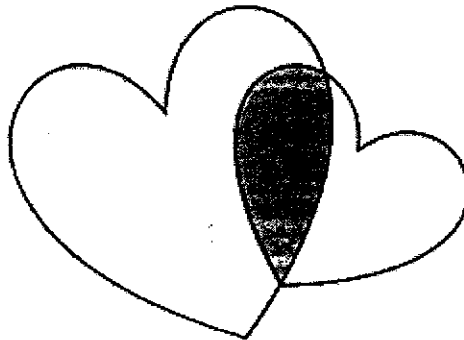
Ans: _____ [2]

9. Mr Yeo had 84 mangoes and some pineapples at his fruit stall. The ratio of the number of mangoes to the number of pineapples was 4 : 5. He sold 35 mangoes and 35 pineapples. What was the ratio of the number of mangoes to the number of pineapples in the end?

Ans: _____ [2]

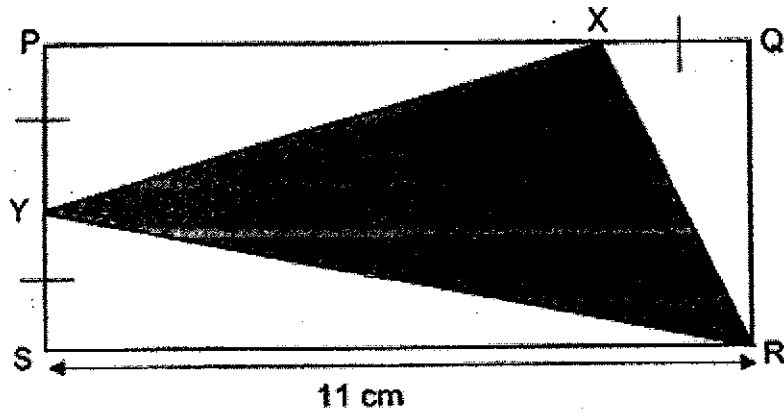
For questions 10 to 13, show your working clearly in the space provided for each question and write your answers in the spaces provided.
The number of marks available is shown in the brackets [] at the end of each question or part-question. All diagrams are not drawn to scale. [16 marks]

10. A figure is formed with a small heart and a big heart overlapping at the shaded part. The ratio of the area of the small heart to the shaded area of the figure to the unshaded area of the figure is $15 : 7 : 27$. The shaded area is 735 cm^2 . Find the area of the big heart.



Ans: _____ [3]

11. The perimeter of rectangle PQRS is 38 cm. $PY = QX = SY$.

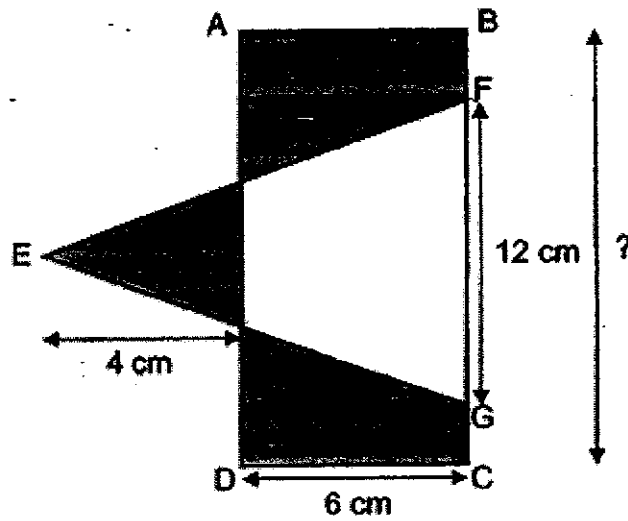


- (a) Find the length of QR.
 (b) Find the area of triangle RXY.

Ans: (a) _____ [1]

(b) _____ [3]

12. The figure is made up of rectangle ABCD and triangle EFG. The area of the unshaded part of the figure is $\frac{3}{5}$ of the area of triangle EFG. The total area of the shaded parts is 96 cm^2 . Find the length of BC.



Ans: _____ [4]

13. There were green, red and blue pens in the school bookshop. The number of green pens to the number of red pens was in the ratio of 8 : 5 at first. Then, $\frac{1}{4}$ of the green pens and $\frac{1}{2}$ of the blue pens were sold, but none of the red pens were sold. The number of blue pens left was twice the sum of red and green pens left. A total of 360 pens were sold.

- (a) What was the ratio of the number of green pens left to the number of red pens left in the end?
- (b) How many blue pens were there at first?

Ans: (a) _____ [1]

(b) _____ [4]

END OF PAPER

Page 11 of 11

SCHOOL : RAFFLES GIRLS' PRIMARY SCHOOL
 LEVEL : PRIMARY 5
 SUBJECT : MATH
 TERM : 2021 WEIGHTED ASSESSMENT 1

PAPER 2

Q1)	DC
Q2)	63
Q3)	$\frac{1}{2} \times 15 \times 4 = 30$ Ans: 30cm ²
Q4)	Chi : Indian 7 : 2 5u = 560 1u = 560 ÷ 5 = 112 2u = 112 x 2 = 224 Ans: 224 Indian pupils
Q5)	$\frac{1}{2} \times 3 \times 4 = 6$ Ans: 6cm ²
Q6)	a) M : W : Syrup 200 : 500 : 100 2 : 5 : 1 Ans: 2 : 5 : 1 b) 1u = 150 5u = 150 x 5 = 750 Ans: 750mℓ
Q7)	Big Triangle = $\frac{1}{2} \times 50 \times 84 = 2100$ BE = 84 ÷ 2 = 42 Unshaded = $\frac{1}{2} \times 50 \times 42 = 1050$ 2100 - 1050 = 1050 Ans: 1050cm ²
Q8)	At first A : B : C 3 : 10 : 8 End A : B : C 7 : 7 : 7 3 + 10 + 8 = 21 21 ÷ 3 = 7 7 - 3 = 4

	$4u = 180$ $1u = 180 \div 4 = 45$ $3u = 45 \times 3 = 135$ Ans: 135 marbles
Q9)	$M : P$ $84 : 105$ $-35 : -35$ $49 : 70$ $7 : 10$ $84 - 35 = 49$ $4u = 84$ $1u = 84 \div 4 = 21$ $P \text{ (at first)} = 21 \times 5 = 105$ $105 - 35 = 70$ Ans: 7 : 10
Q10)	Small heart : Shaded : Unshaded $15 : 7 : 27$ $7u = 735$ $1u = 735 \div 7 = 105$ Unshaded (small heart) = $15 - 7 = 8$ Unshaded (big heart) = $27 - 8 = 19$ Big heart = $19 + 7 = 26$ $26u = 105 \times 26 = 2730$ Ans: 2730cm^2
Q11)	a) $11 + 11 = 22$ $38 - 22 = 16$ $QR = 16 \div 2 = 8$ Ans: 8 cm b) $XQ = 8 \div 2 = 4$ $\frac{1}{2} \times 4 \times 11 = 22$ $11 - 4 = 7$ $\frac{1}{2} \times 4 \times 7 = 14$ $\frac{1}{2} \times 4 \times 8 = 14$ Area of whole figure = $11 \times 8 = 88$ $22 + 14 + 16 = 52$ $88 - 52 = 36$ Ans: 36cm^2
Q12)	$\frac{1}{2} \times 12 \times 10 = 60$ (Triangle EFG) $5u = 60$ $1u = 60 \div 5 = 12$ Shaded = $2u = 2 \times 12 = 24$ Unshaded = $3u = 3 \times 12 = 36$ Area of $x + y = 96 - 24 = 72$

	<p>Area of rectangle ABCD = $36 + 72 = 108$ Length of BC = $108 \div 6 = 18$ Ans: 18cm</p>
Q13)	<p>G : R : B 8 : 5 : 44 -2 -22 6 : 5 : 22 $\frac{1}{4} \times 8 = 2$ $11 \times 2 = 22$ $24u = 360$ $1u = 360 \div 24 = 15$ $44u = 15 \times 44 = 660$ Ans: a) 6 : 5 b) 660 blue pens</p>

