

METHODIST GIRLS' SCHOOL (Primary)
2008 End-of-Year Examination
Primary 5

MATHEMATICS

PAPER 1 (BOOKLET A)

Name: _____ ()

Class: P 5. _____

Booklet A (20)	
----------------	--

Total time for Booklets A and B: 50 min

Do not turn over this page until you are told to do so.

Follow all instructions carefully.

Answer all questions.

You are **not** allowed to use a calculator.

This booklet consists of 5 printed pages.

Questions 1 to 10 carry 1 mark each. Questions 11 to 15 carry 2 marks each.
For each question, four options are given. One of them is the correct answer.
Make your choice (1, 2, 3 or 4). Shade the oval (1, 2, 3 or 4) on the Optical Answer Sheet.
(20 marks)

1. What is the missing number in the blank?

$$68\,425 = 60\,000 + \underline{\hspace{2cm}} + 400 + 20 + 5$$

- (1) 8
- (2) 80
- (3) 800
- (4) 8 000

2. In which of the following numbers is the digit 5 in the hundred thousands place?

- (1) 1 265 387
- (2) 3 579 041
- (3) 5 069 349
- (4) 8 059 512

3. Which of the following numbers when rounded off to the nearest thousand is 70 000?

- (1) 69 499
- (2) 69 549
- (3) 70 501
- (4) 70 980

4. How many eighths are there in $5\frac{3}{4}$?

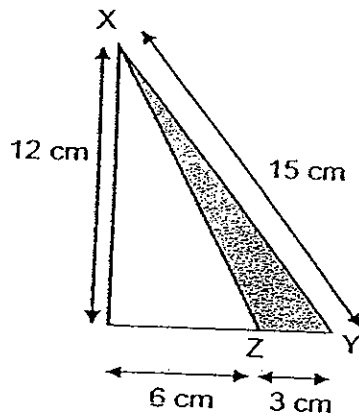
- (1) 23
- (2) 27
- (3) 37
- (4) 46

(Go on to the next page)

5. 4 hundreds, 3 tenths and 5 thousandths is _____

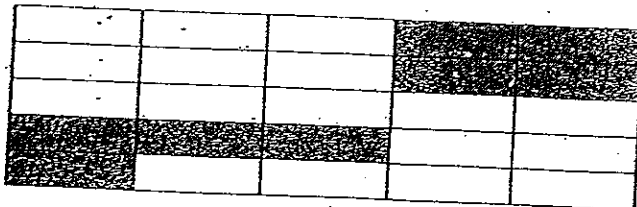
- (1) 400.305
 (2) 400.350
 (3) 430.005
 (4) 430.500

6. Find the area of the shaded triangle.



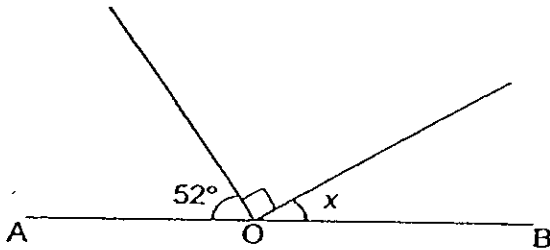
- (1) 18 cm^2
 (2) 36 cm^2
 (3) 45 cm^2
 (4) 54 cm^2

7. What percentage of the figure below is shaded?



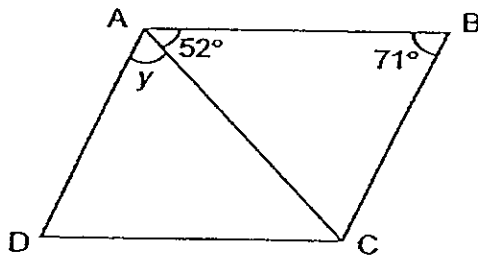
- (1) 8 %
 (2) 16 %
 (3) 28 %
 (4) 32 %

8. In the figure shown below, AOB is a straight line.
Find $\angle x$.



- (1) 28°
 (2) 38°
 (3) 48°
 (4) 58°

9. In the diagram shown below (not drawn to scale), ABCD is a parallelogram.
Find $\angle y$.



- (1) 19°
 (2) 38°
 (3) 52°
 (4) 57°

10. The sum of three numbers is 57. What is the average of the three numbers?

- (1) 19
 (2) 48
 (3) 60
 (4) 171

11. What is the missing number in the box?

$$\frac{4}{5} \times 8 = \frac{4}{5} + \frac{2}{5} \times \boxed{} + \frac{4}{5} + \frac{4}{5}$$

- 5
 2
 10
 20

12. The table below ^{shows} Jane's collection of red, white and green marbles

Marbles	Number of marbles
Green and white	108
Red and white	300
Red, white and green	368

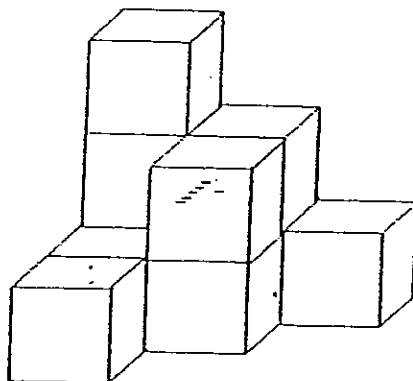
What is the ratio of the number of white marbles to the total number of marbles?

- 5 : 36
 5 : 46
 5 : 51
 5 : 97

13. Mrs. Wong bought 48.2 m of ribbon. She cut out 8 equal pieces, each measuring 3.52 m long. What was the length of the remaining piece of ribbon?

- (1) 20.04 m
 (2) 20.40 m
 (3) 22.40 m
 (4) 24.00 m

14. The solid figure shown below is made up of 1-cm cubes.
How many more cubes are needed to make it into a cube with sides 3 cm?



- 10
 14
 17
 27

15. Adeline has some coins.

$\frac{1}{2}$ of them are 50-cent coins and $\frac{1}{8}$ of them are 20-cent coins.

The rest are 10-cent coins.

The total value of the 10-cent coins is \$2 more than the total value of the 20-cent coins.

How many 50 ¢ coins does she have?

- 40
 80
 120
 160

METHODIST GIRLS' SCHOOL (Primary)
2008 End-of-Year Examination
Primary 5

MATHEMATICS

PAPER 1 (BOOKLET B)

Name: _____ ()

Class: P 5. _____

Booklet B (20)	
----------------	--

Total time for Booklets A and B: 50 min

Do not turn over this page until you are told to do so.

Follow all instructions carefully.

Answer all questions.

You are **not** allowed to use a calculator.

This booklet consists of 7 printed pages.

Questions 16 to 25 carry 1 mark each. Write your answers in the spaces provided.
For questions which require units, give your answers in the units stated.

(10 marks)

16. What is the missing number in the box?

60 345, 61 845, 63 345, , 66 345

Ans: _____

17. What is the smallest 6-digit even number that can be formed with the following cards?

Ans: _____

18. Find the value of $\frac{2}{9} \times \frac{3}{10}$.
(Give your answer in its simplest form.)

Ans: _____

(Go on to the next page)

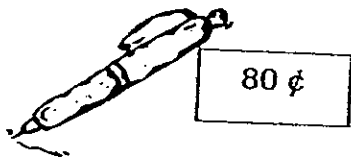
19. Mrs. Li has some sugar in a container. After she used $1\frac{1}{2}$ kg of it, she had $2\frac{2}{5}$ kg left. How much sugar was in the container at first?

Ans: _____ kg

20. Aunt Rosie baked a chocolate cake. Her children ate $\frac{1}{4}$ of the cake and she gave $\frac{1}{6}$ of the remainder to her friend. What fraction of the cake was left?

Ans: _____

21. What is the maximum number of pens I can buy with \$18?



Ans: _____

(Go on to the next page)

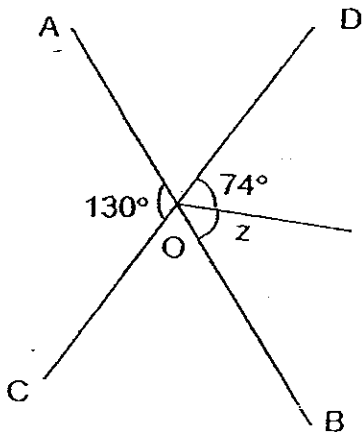
22. In a test, Mark scored an average of 80 marks for English and Mathematics. How many marks did he score for Science if his average mark for the 3 subjects was 85 ?

Ans: _____

23. Express $\frac{3}{20}$ as a percentage.

Ans: _____%

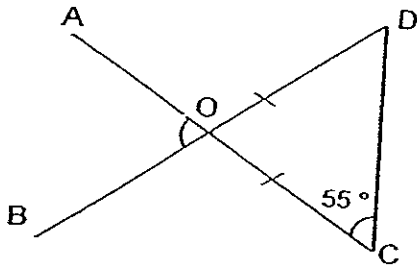
24. In the diagram (not drawn to scale), AOB and COD are straight lines. Find $\angle z$.



Ans: _____

(Go on to the next page)

25. In the figure shown below, AOC and BOD are straight lines.
 $OC = OD$, $\angle OCD = 55^\circ$.
Find $\angle AOB$.



Ans: _____°

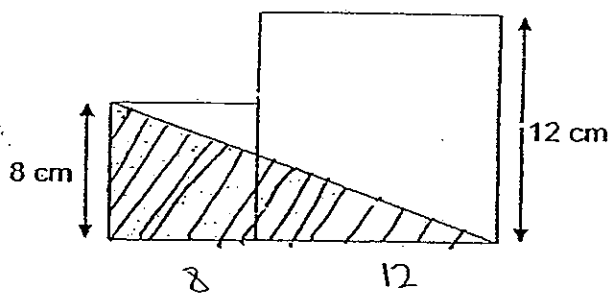
Questions 26 to 30 carry 2 marks each. Show your working clearly in the space below each question and write your answers in the spaces provided. For questions which require units, give your answers in the units stated.

(10 marks)

26. Masie is 9 years old.
Her mother is 41 years old.
How many years later will her mother be three times as old as Masie?

Ans: _____

27. The figure shown below is made up of two squares of different lengths.
Find the area of the shaded triangle.



Ans: _____ cm²

(Go on to the next page)

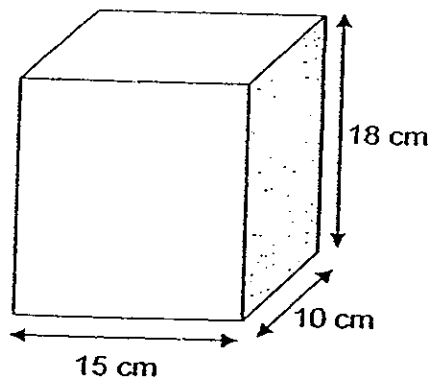
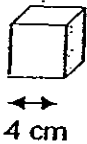
28. Anita is 145 cm tall and Sarah is 0.1 m shorter than her. Find the ratio of Anita's height to Sarah's height. Express your answer in the simplest form.

Ans: _____

29. 40% of a number is 84. What is the number?

Ans: _____

30. What is the maximum number of 4-cm cubes that can fit into a box which measures 15 cm by 10 cm by 18 cm?



Ans: _____



METHODIST GIRLS' SCHOOL (Primary)
2008 End-of-Year Examination
Primary 5

Mathematics

PAPER 2

Name: _____ ()

Class: P 5. _____

Time: 1h 40min

.....
Parent's Signature
Date:

Paper 1 Booklet A (20)	
Paper 1 Booklet B (20)	
Paper 2 (60)	
Total: (100)	

Do not turn over this page until you are told to do so.

Follow all instructions carefully.

Answer all questions.

Show your working clearly as marks are awarded for correct working.

Write your answers in this booklet.

You are allowed to use a calculator.

This booklet consists of 13 printed pages.

Questions 1 to 5 carry 2 marks each. Show your working clearly in the space provided for each question and write your answers in the spaces provided. For questions which require units, give your answers in the units stated.

(10 marks)

1. Yanni's suitcase weighs 9.7kg.
Danny's suitcase is 850g heavier than Yanni.
What is the total weight of their suitcases?
(Express your answer in kg.)

Ans: _____ kg

2. Shawn and Stephanie received some money from their father.
Shawn received 70% of the money and Stephanie received the rest.
If Shawn received \$630, how much money did Stephanie receive?

Ans: \$ _____

(Go on to the next page)

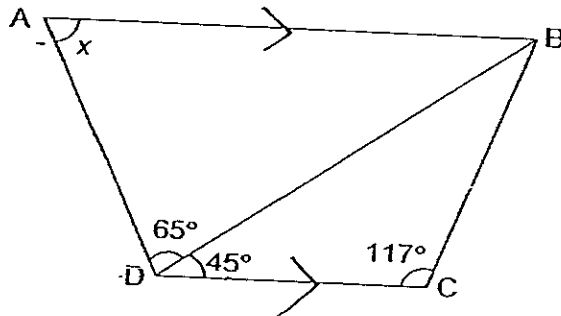
3. Aaron had $\frac{5}{8}$ litre of apple juice.

After he drank some juice, he had $\frac{1}{4}$ litre of juice left.

How much juice did he drink?

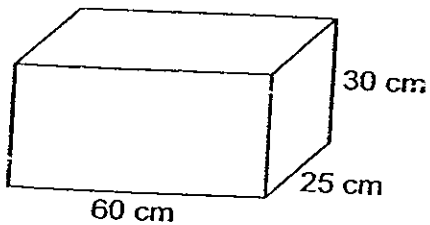
Ans: _____ l

4. ABCD is a trapezium where $AB \parallel DC$.
Find $\angle x$.



Ans: _____ °

5. A rectangular fish tank measures 60 cm by 25 cm by 30 cm.
Find the volume of water in the tank when it is half filled.



Ans: _____ cm³

(Go on to the next page)

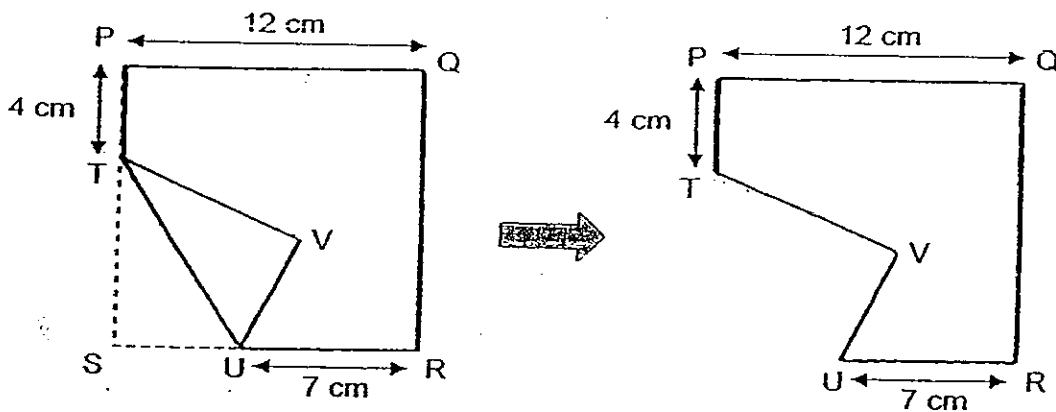
For questions 6 to 18, show your working clearly in the space provided for each question and write your answers in the spaces provided.
The number of marks available is shown in brackets [] at the end of each question or part-question.

(50marks)

6. May has a certain sum of money.
If she buys 4 pens, she will have \$5 left.
If she buys 7 pens, she will be short of \$7.
How much money does May have?

Ans: _____ [3]

7. PQRS is a square piece of paper. The paper is folded along the line TU and then cut along the lines TV and VU.
Find the area of the remaining piece of paper.



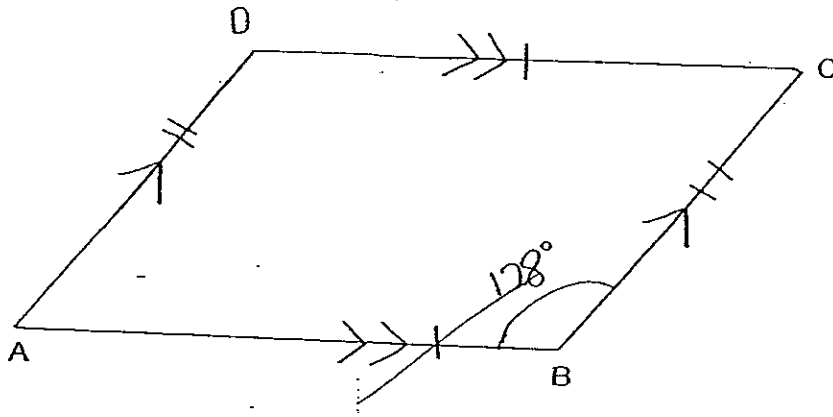
Ans: _____ [3]

(Go on to the next page)

8. In the diagram shown below, AB and BC are straight lines.

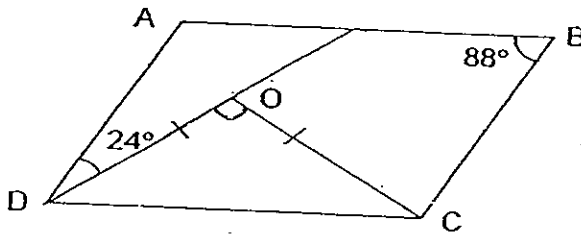
- (a) Draw two lines AD and CD such that $AD \parallel BC$ and $AB \parallel DC$.
- (b) Measure and write down the size of $\angle ABC$.

[2]



Ans: _____ [1]

9. In the diagram below (not drawn to scale), ABCD is a parallelogram. ODC is an isosceles triangle in which $OD = OC$. $\angle ADO = 24^\circ$. Find $\angle DOC$.



Ans: _____ [3]

10. Mrs. Lee bought 200 m of cloth at \$3.20 per metre.
Mrs. Tan bought the same cloth at a discount of \$0.70 per metre.
How many more metres of cloth could Mrs. Lee have bought with the same amount of money if she was given the discount of \$0.70 per metre?

Ans: _____ [3]

11. Cindy and Lydia had an equal number of beads. After Lydia used 20 beads to make a bracelet, she had $\frac{1}{3}$ as many beads as Cindy.
How many beads did each of them have at first?

Ans: _____ [3]

(Go on to the next page)

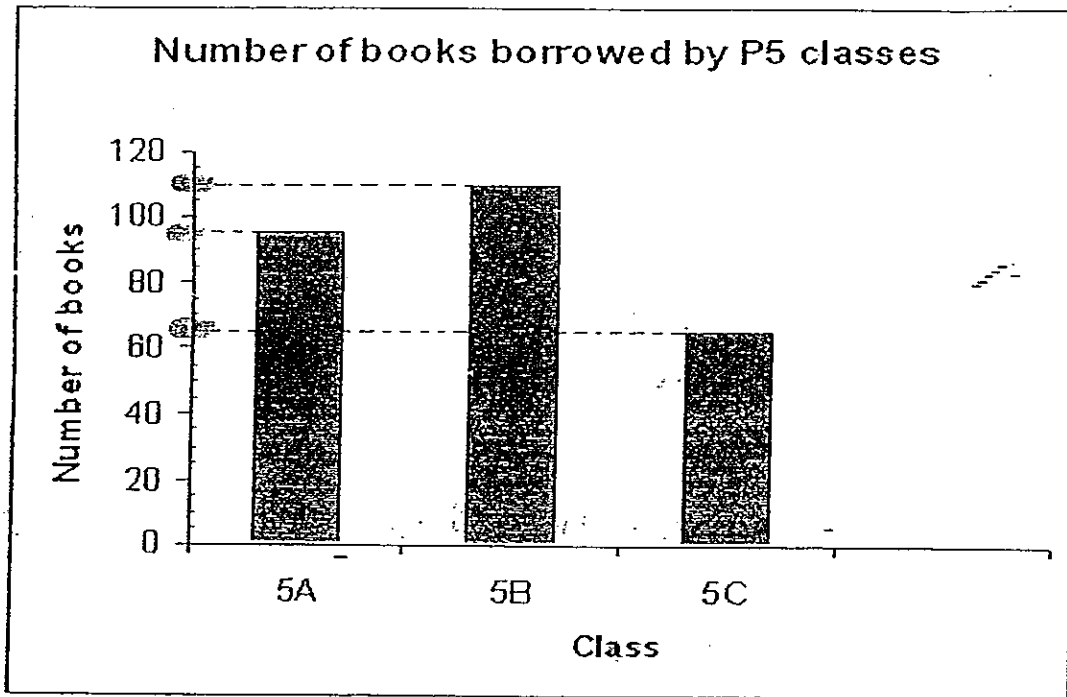
12. Jade spent $\frac{1}{4}$ of her money on a pair of shoes and $\frac{1}{2}$ of the remainder on a present. The next day, she spent \$35 on a skirt and had \$70 left. How much money did she have at first?

Ans: _____ [4]

13. Alice, Bernice, Celine & Devi had a total of 156 stamps. Alice lost 22 stamps and Bernice bought 16 more stamps. If Devi had 3 times the number of stamps she originally had, then all of them would have an equal number of stamps. How many stamps did Celine have at first?

Ans: _____ [4]

14. The graph below shows the number of library books borrowed by P5 classes in the month of May.



- a) What is the average number of books borrowed by 5A, 5B and 5C?
- b) If $\frac{3}{5}$ of the number of books borrowed by 5B are fiction books, how many books borrowed by 5B are non-fiction books?

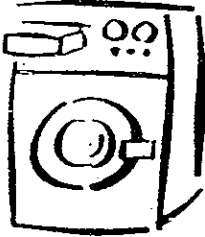
Ans: a) _____ [2]

b) _____ [2]

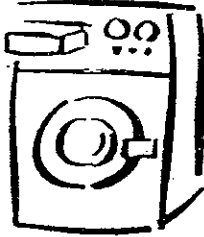
(Go on to the next page)

15.

Discount voucher



Buy the ~~first~~ washing machine at
~~30% discount~~



Buy ~~second~~ washing
machine at ~~half price~~

At a sale, David bought 2 washing machines. The original price of a washing machine is \$700.

- a) How much did David pay for the 2 washing machines if he had used the discount voucher?
- b) If David had not used the discount voucher, how much more would he have to pay for the 2 washing machines?

Ans: a) _____ [3]

b) _____ [2]

(Go on to the next page)

16. There are some mangoes in 3 baskets, A, B and C.

$\frac{1}{6}$ of the number of mangoes in A is equal to $\frac{1}{10}$ of the mangoes in B.

The number of mangoes in C is equal to $\frac{1}{2}$ of the total number of mangoes in A and B.

- a) What is the ratio of the number of mangoes in basket C to the number of mangoes in basket B? Express your answer in the simplest form.
- b) If half of the mangoes in B are taken out and placed into C, there will be 52 mangoes in C. How many mangoes are there in the 3 baskets?

Ans: a) _____ [2]

b) _____ [3]

(Go on to the next page)

17. Daisy and Cindy have some stickers.

If Daisy gives away 6 stickers, the ratio of the number of stickers Daisy has to the number of stickers Cindy has will be 3:5.

If Cindy gives away 6 stickers, the ratio of the number of stickers Daisy has to the number of stickers Cindy has will be 11:13.

What is the total number of stickers they have?

Ans: _____ [5]

18. A rectangular tank measuring 60 cm long, 50 cm wide and 40cm high was $\frac{1}{4}$ filled with water.

At 8 a.m., the tank was filled with water from a tap at the rate of 3 litres per minute.

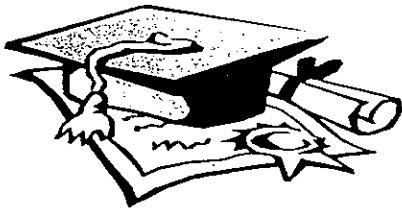
At the same time, water was also leaking from a crack at the base of the tank at a rate of 500 cm^3 per minute.

At what time will the tank be completely filled with water?

(1l = 1000 cm^3)

Ans: _____ [5]

☆ End of Paper ☆



ANSWER SHEET

EXAM PAPER 2008

SCHOOL : MGS HIGH PRIMARY SCHOOL
SUBJECT : PRIMARY 5 MATHEMATICS

TERM : SA 2 -

Q1	Q2	Q3	Q4	Q5	Q6	Q7	Q8	Q9	Q10	Q11	Q12	Q13	Q14	Q15
4	2	2	4	1	1	4	2	4	1	3	2	1	3	2

16) 64845

17) 102796

18) $1/15$

19) $39/10\text{kg}$

20) $5/8$

21) 22pens

22) 95 marks

23) 15%

24) 56°

25) 70°

26) 7 years later

27) 80cm^2

28) 29:27

29) 210

30) 24

Paper 2

1) $850\text{g} = 0.85\text{kg}$

$9.7 + 0.85 = 10.55(\text{D})$

$10.55 + 9.7 = 20.25\text{kg}$

2) $630 \div 70 = 9$

$9 \times 30 = \$270$

3) $5/8 - 1/4 = 5/8 - 2/8 = 3/8$

4) $180^\circ - 65^\circ - 45^\circ = 70^\circ$

5) $1/2 \times 60 \times 25 \times 30 = 22500\text{cm}^3$

6) $5+7=12$
 $12 \div 3=4$
 $4 \times 4=16$
 $16+5=21$
May has \$21

7) $\frac{1}{2} \times 8 \times 5 \times 2=40$
 $12 \times 12=144$
 $144-40=104\text{cm}^2$

8) $180^\circ - 128^\circ = 52^\circ$
b) $\angle ABC$ is 128°

9) $88^\circ - 24^\circ = 64^\circ$
 $180^\circ - 64^\circ - 64^\circ = 52^\circ$
 $\angle DOC$ is 52°

10) $3.20 \times 200=640$
 $3.20 - .70=2.50$
 $640 \div 2.50=256$
 $256-200=56$

She could have 56 metres of cloth.

11) $20 \div 2=10$
 $10 \times 3=30$
They had 30 beads at first.

12) $35+70=105$
 $105 \div 3=35$
 $35 \times 8=280$
She has \$280 at first.

13) $156-22+16=150$
 $150 \div 10=15$
 $3 \times 15=45$
Celine had 45 stamps at first.

14)a) $20 \div 4 = 5$

$5 \times 3 = 15$

$80 + 15 = 95$ (5A)

$2 \times 5 = 10$

$100 + 10 = 110$ (5B)

$60 + 5 = 65$ ©

$95 + 110 + 65 = 270$

$270 \div 3 = 90$

The average is 90 books.

b) $5/5 - 3/5 = 2/5$

$2/5 \times 110 = 44$

44 books borrowed by 5B are non-fiction books.

15)a) $30/100 \times 700 = 210$

$700 - 210 = 490$

$1/2 \times 700 = 350$

$350 + 490 = 840$

David had to pay \$840.

b) $700 \times 2 = 1400$

$1400 - 840 = 560$

He would have to pay \$560 more.

16)a) 4:5

b) $5 + 8 = 13$

$52 \div 13 = 4$

$6 + 10 + 8 = 24$

$24 \times 4 = 96$ mangoes.

17) 1st ratio $\rightarrow 3:5=9:15$ (total is 24u)
2rd ratio $\rightarrow 11:13$ (total 24 units)
Compare 9:15 with 11:13

Difference : 11 units - 9 units = 2 units

2 units $\rightarrow 6$

1 unit $\rightarrow 6 \div 2 = 3$

(Daisy) 11 units $\rightarrow 11 \times 3 = 33$

(Cindy) 13 units $\rightarrow 13 \times 3 = 39$

Total $\rightarrow 33 + 39 = 72$

$72 + 6 = 78$

The total number of stickers they had is 78.

18) Volume of water to be filled $\rightarrow \frac{3}{4} \times 60 \times 40 \times 50 = 9000$

Volume of water added into the tank per minute = 2500

Time taken to fill tank completely $\rightarrow 9000 \div 2500 = 36$

36min

8am ----- $\rightarrow 8.36$

The tank will be completely filled at 8.36am.