

SINGAPORE CHINESE GIRLS' SCHOOL (PRIMARY)
 PRIMARY 5 MATHEMATICS
 TERM 2 WEIGHTED ASSESSMENT
 FRACTIONS, AREA OF TRIANGLE, VOLUME

Name: _____ ()

Date: _____

Class: Primary 5 SY / C / G / SE / P

Duration: 40 minutes

Calculators are not allowed for this assessment.



Parent's Signature: _____

Section A

Questions 1 to 4 carry 2 marks each.

For each question, four options are given. Choose the correct answer and write its number in the brackets provided. (8 marks)

1) $\frac{3}{8} \times \frac{1}{6} =$ _____

1) $\frac{1}{4}$

2) $\frac{1}{16}$

3) $\frac{4}{14}$

4) $\frac{13}{24}$

()

2) What is the value of $11 \div 3$ rounded off to 2 decimal places.

1) 0.27

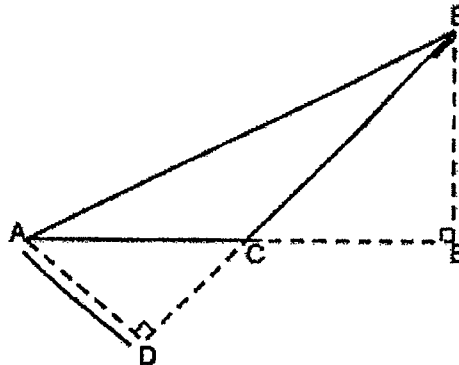
2) 3.20

3) 3.66

4) 3.67

()

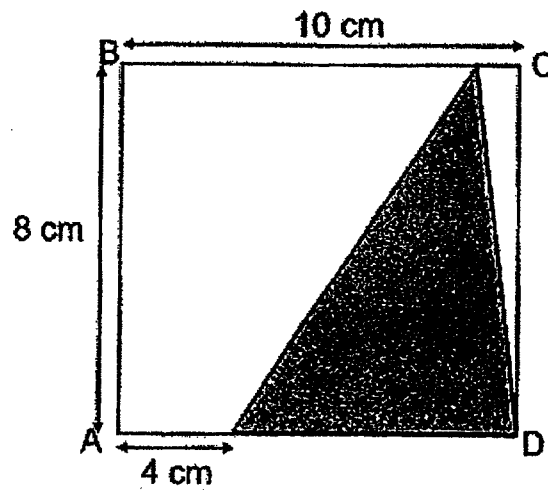
- 3) The figure below shows a triangle ABC.
Find the height that corresponds to the base BC.



- 1) BA
- 2) BE
- 3) AC
- 4) AD

()

- 4) ABCD is a rectangle. Find the area of the shaded figure.



- 1) 16 cm^2
- 2) 20 cm^2
- 3) 24 cm^2
- 4) 40 cm^2

()

Section B

For questions 5 to 8, show your working in the space provided below each question. Write your answers in the spaces provided. The number of marks for each question is indicated in brackets [] at the end of each question or part question. (8 marks)

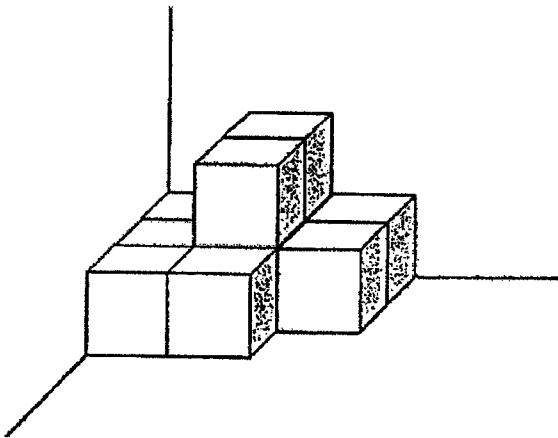
5) (a) $2\text{ l } 9\text{ ml} = \underline{\hspace{2cm}}\text{ l}$

(b) $4.65\text{ l} = \underline{\hspace{2cm}}\text{ cm}^3$

Ans: l [1]

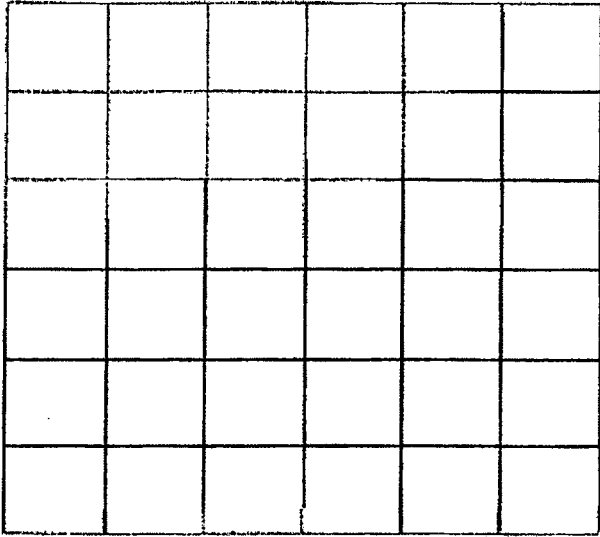
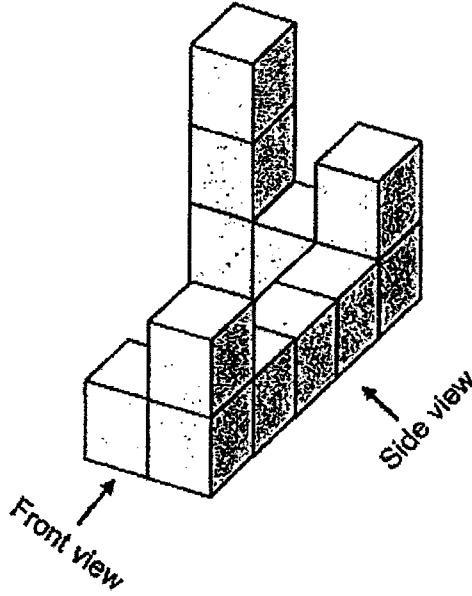
Ans: cm^3 [1]

- 6) The figure below shows a solid made up of unit cubes. How many unit cubes should be added to form the smallest possible cube?

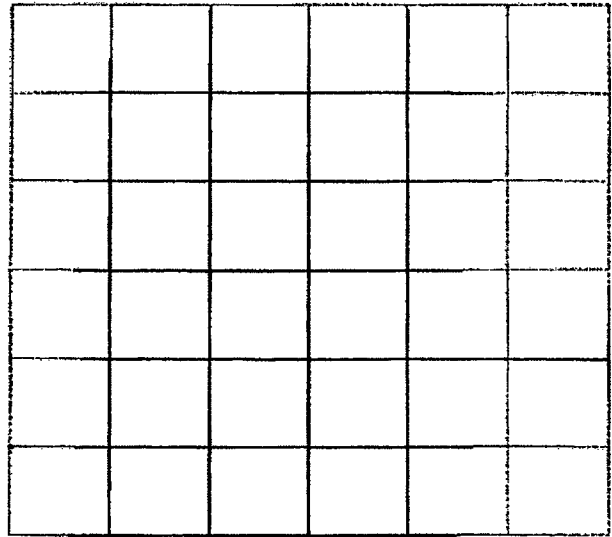


Ans: [2]

- 7) The figure below is made up of 12 unit cubes. Draw the side and top view of the solid on the square grids. [2]

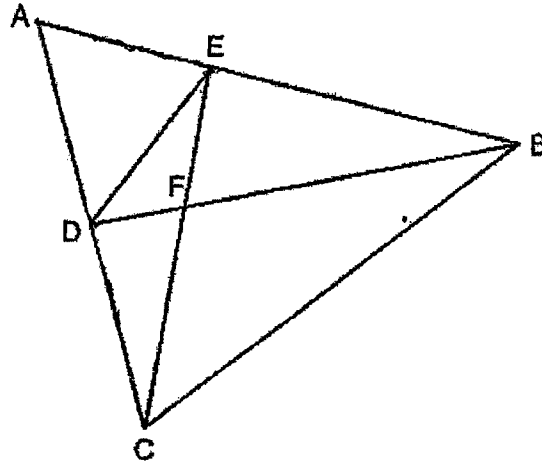


Side view



Top view

- 8) The figure below is made up of triangles. AB is thrice of AE while D is the midpoint of AC.



- (a) Tick (✓) the two triangles with the same area. [1]

Triangle BEF	Triangle AED	Triangle BCF	Triangle CED

- (b) The area of triangle AED is 10 cm^2 . What is the area of triangle BDE?

Ans: _____ cm^2 [1]

Section C

For questions 9 to 12, show your working clearly in the space provided below each question. All steps should be clearly shown. Write your answers in the spaces provided. The number of marks for each question is indicated in brackets [] at the end of each question or part question. **(14 marks)**

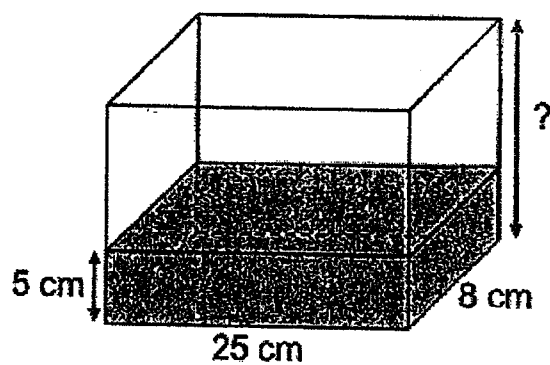
- 9) Amir had $\frac{8}{9}$ t of juice. He spilt $\frac{1}{4}$ of it and drank $\frac{1}{2}$ t. How many litres of juice does he have left?

Ans: _____ [3]

- 10) There were 112 more muffins than brownies in a shop. $\frac{1}{5}$ of the brownies and $\frac{2}{3}$ of the muffins were sold. There was an equal number of brownies and muffins left. How many muffins were there at first?

Ans: _____ [4]

- 11) The figure below shows a tank with a rectangular base of 25 cm by 8 cm.



- (b) The tank is $\frac{1}{3}$ - filled. What is the height of the tank?

Ans: (a) _____ [1]

- (b) How much more water is needed to fill the tank to its brim?
Leave your answer in cm^3 .

Ans: (b) _____ [2]

- 12) There are $\frac{1}{3}$ as many boys as girls at a carnival. Each boy received 6 tokens and each girl received 8 tokens. A total of 600 tokens were given out. How many boys were there?

Ans: _____ [4]

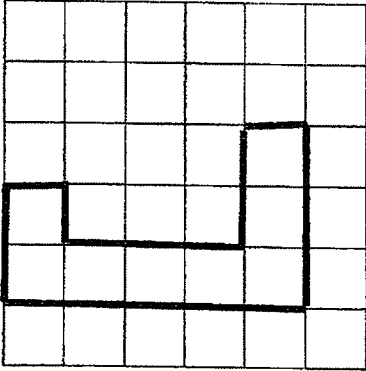
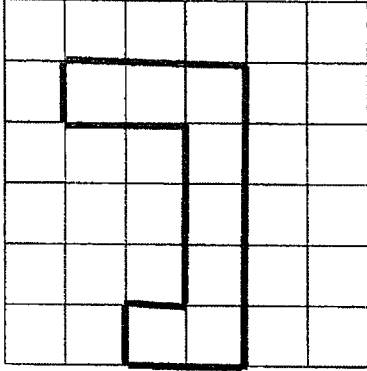
END OF PAPER

SCHOOL : SCGS PRIMARY SCHOOL
 LEVEL : PRIMARY 5
 SUBJECT : MATHEMATICS
 TERM : 2022 WA2

Section A

Q 1	Q2	Q3	Q4
2	4	4	3

Section B

Q5)	a) 2.009ℓ b) 4650 cm ³				
Q6)	17				
Q7)	<div style="display: flex; justify-content: space-around; align-items: center;"> <div style="text-align: center;">  <p>Side view</p> </div> <div style="text-align: center;">  <p>Top view</p> </div> </div>				
Q8)	<p>a)</p> <table border="1" style="margin-left: auto; margin-right: auto;"> <tr> <td style="width: 20px; height: 20px;"></td> <td style="width: 20px; height: 20px; text-align: center;">√</td> <td style="width: 20px; height: 20px;"></td> <td style="width: 20px; height: 20px; text-align: center;">√</td> </tr> </table> <p>b) 20cm²</p>		√		√
	√		√		

Section C

Q9)	$\frac{1}{4} \text{ of } \frac{8}{9} \ell = \frac{2}{9} \ell$ $\frac{8}{9} \ell - \frac{2}{9} \ell - \frac{1}{2} \ell = \frac{1}{6} \ell$												
Q10)	$112 \div 7 = 16$ $16 \times 12 = 192$												
Q11)	<p>a) $5 \times 3 = 15\text{cm}$</p> <p>b) $25 \times 8 \times 10$ $= 200 \times 10$ $= 2000\text{cm}^3$</p>												
Q12)	<table border="1" data-bbox="357 958 1284 1088"> <thead> <tr> <th>1 set</th> <th>Boys</th> <th>Girls</th> <th>Total</th> </tr> </thead> <tbody> <tr> <td>Qty</td> <td>1u</td> <td>3u</td> <td>$3u + 1u = 4u$</td> </tr> <tr> <td>Value</td> <td>$1u \times 6 = 6$</td> <td>$3u \times 8 = 18$</td> <td>$18 + 6 = 24$</td> </tr> </tbody> </table> <p>$600 \div 24 = 25$</p> <p>Ans: 25</p>	1 set	Boys	Girls	Total	Qty	1u	3u	$3u + 1u = 4u$	Value	$1u \times 6 = 6$	$3u \times 8 = 18$	$18 + 6 = 24$
1 set	Boys	Girls	Total										
Qty	1u	3u	$3u + 1u = 4u$										
Value	$1u \times 6 = 6$	$3u \times 8 = 18$	$18 + 6 = 24$										