

Questions 1 to 10 carry 1 mark each. Questions 11 to 15 carry 2 marks each. For each question, four options are given. One of them is the correct answer. Make your choice (1, 2, 3 or 4). Shade the correct oval (1, 2, 3 or 4) on the Optical Answer Sheet. (20 marks)

1 In 9 756 832, the digit 5 is in the _____ place.

- (1) tens
- (2) hundreds
- (3) thousands
- (4) ten thousands

2 $98\,000 \div \boxed{?} = 980$ What is the missing number in the box?

- (1) 10
- (2) 100
- (3) 1 000
- (4) 10 000

3 A farmer has 2 958 ducks in his farm.
Express this number to the nearest hundred.

- (1) 3 000
- (2) 2 960
- (3) 2 900
- (4) 2 000

(Go on to the next page)

4 Which one of the following fractions is greater than $\frac{3}{5}$?

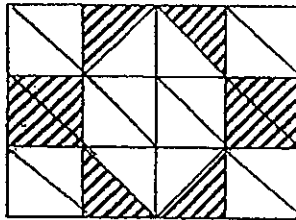
(1) $\frac{5}{10}$

(2) $\frac{11}{20}$

(3) $\frac{16}{25}$

(4) $\frac{28}{50}$

5 The figure below is made up of unit squares.



What fraction of the whole figure is not shaded?

(1) $\frac{1}{2}$

(2) $\frac{1}{3}$

(3) $\frac{5}{6}$

(4) $\frac{2}{3}$

6 What is the missing number in the box below?

$$105.493 = 100 + 5 + \frac{49}{\boxed{?}} + \frac{3}{1000}$$

- (1) 1
- (2) 10
- (3) 100
- (4) 1000

7 Which of the following numbers is closest to 1?

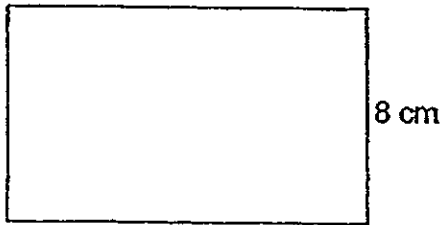
- (1) $\frac{5}{6}$
- (2) $\frac{7}{8}$
- (3) $1\frac{1}{4}$
- (4) $1\frac{1}{5}$

8 Which one of the following has the same value as $1 + \frac{7}{20}$?

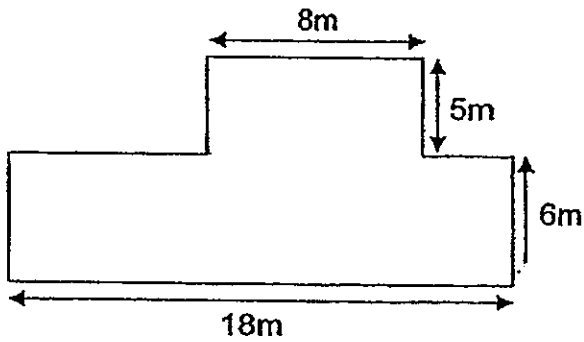
- (1) 1.02
- (2) 1.07
- (3) 1.35
- (4) 1.70

(Go on to the next page)

- 9 The rectangle below has an area of 112 cm^2 . What is its perimeter?



- (1) 22 cm
(2) 44 cm
(3) 48 cm
(4) 96 cm
- 10 What is the area of the figure shown?



- (1) 40 m^2
(2) 58 m^2
(3) 108 m^2
(4) 148 m^2
- 11 What is the value of $26 - 16 + 2 + 7 \times 3$?

- (1) 26
(2) 36
(3) 39
(4) 75

- 12 Mrs Wong has 25 tarts. She packs all of them into boxes. Each box holds at least 2 tarts and a maximum of 4 tarts. Which of the following **cannot** be the total number of boxes she used?
- (1) 6
 - (2) 7
 - (3) 8
 - (4) 13
- 13 The product of two numbers is 2 400. One of the numbers is 20. What is the sum of the two numbers?
- (1) 120
 - (2) 140
 - (3) 1 220
 - (4) 2 420
- 14 Susan has 120 stickers. Amy has $\frac{3}{8}$ as many stickers as Susan. How many more stickers does Susan have than Amy?
- (1) 320
 - (2) 200
 - (3) 75
 - (4) 45
- 15 Kate usually spends \$18 which is $\frac{3}{5}$ of her monthly pocket money. How long will she take to save \$72?
- (1) 4 months
 - (2) 6 months
 - (3) 12 months
 - (4) 24 months

(Go on to Booklet B)

METHODIST GIRLS' SCHOOL (PRIMARY)

Founded in 1887



CONTINUAL ASSESSMENT 2013 PRIMARY 5 MATHEMATICS

PAPER 1 (BOOKLET B)

Total Time for Booklets A and B: 50 minutes

INSTRUCTIONS TO CANDIDATES

Do not turn over this page until you are told to do so.

Follow all instructions carefully.

Answer all questions.

Write your answers in this booklet.

The use of calculators is **NOT** allowed.

Name: _____ ()

Class: Primary 5. _____

Date: 5 March 2013

Paper 1 Booklet A	/ 20
Paper 1 Booklet B	/ 20
Paper 2	/ 40
TOTAL	/

This booklet consists of 7 printed pages including this page.

Questions 16 to 25 carry 1 mark each. Questions 26 to 30 carry 2 marks each. Write your answers in the spaces provided. For questions which require units, give your answers in the units stated. (20 marks)

16 Arrange the following numbers in decreasing order.

570 998, 571 002, 571 065, 570 079

Ans: _____

17 What is the remainder when 4810 is divided by 50?

Ans: _____

18 What is the value of the digit 9 in 839 122?

Ans: _____

(Go on to the next page)

19 Write five million, seventeen thousand and one in figures.

Ans: _____

20 The area of a square is 49 cm^2 . What is the perimeter of the square?

Ans: _____ cm

21 How many tens are there in the sum of 3 numbers: 1072, 260 and 128?

Ans: _____

22 Express $\frac{58}{4}$ as a mixed number in its simplest form.

Ans: _____

(Go on to the next page)

- 23 Find the value of $2\frac{1}{4} - \frac{5}{6}$.

Ans: _____

- 24 There are 216 beads. $\frac{2}{3}$ of the beads are yellow and the rest are blue.
How many beads are blue?

Ans: _____

- 25 Express $2\frac{5}{7}$ as a decimal. Give your answer correct to 2 decimal places.

Ans: _____

Questions 26 to 30 carry 2 marks each. Show your working clearly in the space below each question and write your answers in the spaces provided. For questions which require units, give your answers in the units stated.

(10 marks)

- 26 The sum of three numbers is 437. The first number is 17 more than the second number. The third number is twice the second number. What is the first number?

Ans: _____

27 $18 \times 36 = 20 \times 36 - \square \times 36$

What is the missing number in the box?

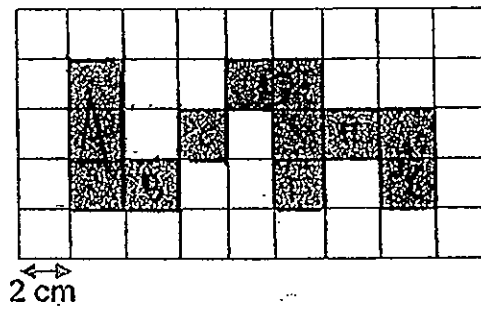
Ans: _____

(Go on to the next page)

- 28 Joyce earns a monthly salary of \$2 400. She gives $\frac{1}{4}$ of her salary to her mother and \$500 to her father. How much money did she keep for herself?

Ans: \$ _____

- 29 Find the area of the shaded parts in the grid below.



Ans: _____ cm²

(Go on to the next page)

- 30 The combined age of Grace and her brother is 73 years. Grace is 7 years younger than her brother. Express Grace's age as a fraction of her brother's age.

Ans: _____

END OF PAPER

METHODIST GIRLS' SCHOOL (PRIMARY)

Founded in 1887



CONTINUAL ASSESSMENT 2013 PRIMARY 5 MATHEMATICS

PAPER 2

Duration: 1h 15 min

INSTRUCTIONS TO CANDIDATES

Do not turn over this page until you are told to do so.
Follow all instructions carefully.

Answer all questions.

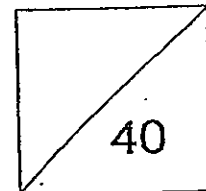
Write your answers in this booklet.

The use of an approved calculator is expected, where appropriate.

Name: _____ ()

Class: Primary 5. _____

Date: 5 March 2013



This booklet consists of 10 printed pages including this page.

Questions 1 to 3 carry 2 marks each. Show your working clearly and write your answers in the spaces provided. For questions which require units, give your answers in the units stated. (6 marks)

- 1 Use all the digits to form the smallest 5-digit even number.

3	1	8	2	7
---	---	---	---	---

Ans: _____

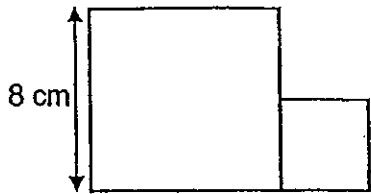
- 2 I am a 4-digit number.
The digit 8 is in the thousands place.
The value of the digit 5 is 500.
The digit 6 is in the ones place.
The sum of all my digits is 19.
What number am I?

Ans: _____

(Go on to the next page)

3

- 3 The figure is made up of 2 squares. The total area is 80 cm^2 . Find the length of the smaller square.



Ans: _____ cm

(Go on to the next page)

For questions 4 to 13, show your working clearly and write your answers in the space provided. The number of marks available is shown in brackets [] at the end of each question or part-question. (34 marks)

- 4 There are red, blue and yellow-coloured balls in a box. Half of the balls are red. There are 12 blue balls and three times as many yellow balls as blue balls. How many balls are there altogether?

Ans: _____ [3]

- 5 Ronald bought 4 pairs of trousers and 2 shirts for \$180. Each pair of trousers cost as much as 2 shirts. Find the cost of a pair of trousers.

Ans: _____ [3]

(Go on to the next page)

- 6 Mrs Chan has read $\frac{5}{9}$ of a book. She finished reading the rest of the book in the next 3 days. If she reads 44 pages each day, how many pages are there in the book?

Ans: _____ [3]

- 7 Sally has \$150 more than Jane. After saving \$12 each, Jane has $\frac{4}{7}$ as much money as Sally. How much money did Jane have at first?

Ans: _____ [3]

(Go on to the next page)

- 8 Beth and Delia had 261 beads. After Beth gave $\frac{2}{5}$ of her beads to Delia, Delia would have twice as many beads as Beth. How many beads did Delia have at first?

Ans: _____ [3]

- 9 Mrs Tan changed some \$2 notes and \$5 notes from the bank. There were 15 more \$2 notes than \$5 notes. The total value of the notes is \$1 325. How many \$5 notes did she change?

Ans: _____ [3]

(Go on to the next page)

- 10 Mrs Lee baked four times as many pies as Mrs Goh. After Mrs Lee had given away 80 pies and Mrs Goh had baked 40 more pies, they both had the same number of pies.
- (a) What was the total number of pies they baked at first?
- (b) All the pies were sold at 4 for \$9.
How much money was collected from the sale?

Ans: (a) _____ [2]

(b) _____ [2]

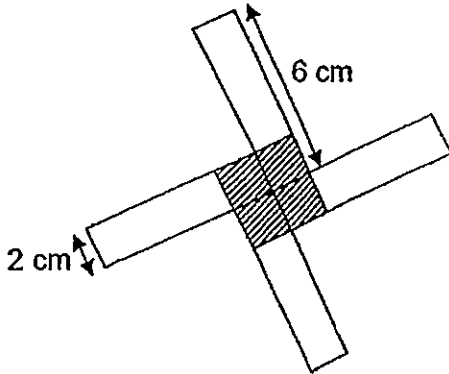
(Go on to the next page)

- 11 32 prefects had to make some cards for their teachers. 2 prefects were absent and the rest of the prefects had to make 4 more cards each. How many cards did they have to make in all?

Ans: _____ [4]

(Go on to the next page)

- 12 The figure is made up of 4 identical rectangles measuring 6 cm by 2 cm.



- (a) Find the perimeter of the figure.
(b) Find the area of the shaded portions.

Ans: (a) _____ [2]

(b) _____ [2]

(Go on to the next page)

- 13 Mrs Tan bought 7 bags of sugar. Each bag weighed $\frac{4}{5}$ kg each.
She used $1\frac{2}{3}$ kg to bake some cookies and another $\frac{3}{4}$ kg to bake the muffins.
- (a) How much sugar did she buy? Give your answer as a mixed number.
- (b) How much sugar did she have left?

Ans: (a) _____ [2]

(b) _____ [2]

END OF PAPER



ANSWER SHEET

EXAM PAPER 2013

SCHOOL : MGS PRIMARY SCHOOL

LEVEL : PRIMARY 5

SUBJECT : MATHEMATICS

TERM : CA1

Booklet A

Q1	Q2	Q3	Q4	Q5	Q6	Q7	Q8	Q9	Q10	Q11	Q12	Q13	Q14	Q15
4	2	1	3	4	2	2	3	2	4	3	1	2	3	2

16. 571065, 571002, 570998, 570079

17. 10

18. 9000

19. 5017001

20. 28

21. 146

22. $14 \frac{1}{2}$

23. $1 \frac{5}{12}$

24. 72

25. 2.71

26. 122

27. 2

28. 1300

29. 48

30. $\frac{33}{40}$

Paper 2

1. 12378

2. 8506

3. $8 \times 8 = 64$

$80 - 64 = 16$

$4 \times 4 = 16$

4. $12 \times 3 = 36$

$36 + 12 = 48$

$48 \times 2 = 96$

5. $180 \div 10 = 18$

$18 \times 2 = 36$

6. $44 \times 3 = 132$

$4u \text{ ---- } 132$

$1u \text{ ---- } 33$

$9u \text{ ---- } 297$

7. $1u \text{ ---- } 150 \div 3 = 50$

$4u \text{ ---- } 200$

$200 - 12 = 188$

8. $261 \div 3 = 87$

$87 \div 3 = 29$

$29 \times 2 = 58$

$87 \times 2 = 174$

$174 - 58 = 116$

9. $15 \times 2 = 30$

$1325 - 30 = 1295$

$2 + 5 = 7$

$1295 \div 7 = 185$

10. A. $1u \text{ --- } 40$

$5u \text{ --- } 200$

B. $200 - 80 + 40 = 160$

$160 \div 4 = 40$

$40 \times 9 = 360$

11. $32 - 2 = 30$

$30 \times 4 = 120$

$120 \div 2 = 60$

$60 \times 32 = 1920$

12. A. $6 - 2 = 4$

$4 + 2 + 6 = 12$

$12 \times 4 = 48$

B. $2 + 2 = 4$

$4 \times 4 = 16$

13. A. $\frac{4}{5} \times 7 = 5\frac{3}{5}$

B. $1\frac{2}{3} + \frac{3}{4} = 2\frac{5}{12}$

$5\frac{3}{5} - 2\frac{5}{12} = 3\frac{11}{60}$